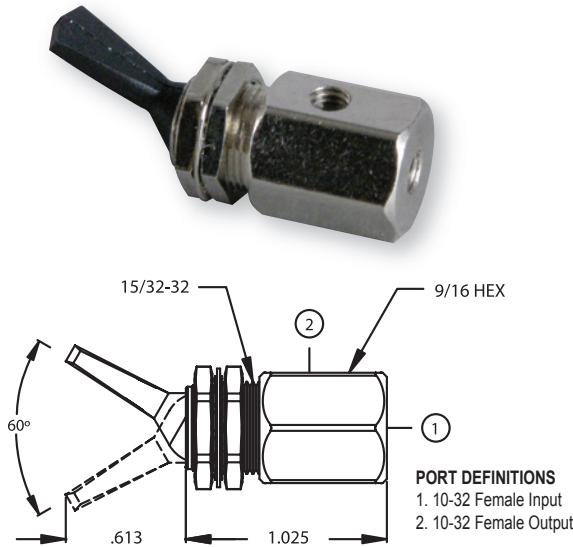


STANDARD TOGGLE VALVE



Design Considerations

The Standard Toggle Valve Series promotes a compact, Normally Closed design with multiple configurations to fit the exact end use application. The Toggle Valves are available with Detented or Momentary Handles, and with 2-Way (Non-Exhausting) or 3-Way (Exhausting) 10-32 Female porting. The 3-Way (Exhausting) Toggle Valves relieve air around the handle. The Panel Mount Toggle Valves require a .500 hole and are supplied with two Electroless Nickel Plated Panel Nuts and lock washer.

Specifications

Body & Panel Nuts: Electroless Nickel Plated Brass
 Stem: Brass
 Panel Mounting: 1/2" Panel Hole, 1/4" Max. Thickness
 Spring: 302 Stainless Steel

Maximum Operating Pressure – 0 - 125 psi
 Maximum Operating Temperature – -25°F to 180°F
 Flow Rate – 2.5 SCFM @ 50 psi
 Toggle Actuation Force – Tested at 50 psi
 Std. Spring, 9 oz. Detented, 1lb 3 oz. Momentary

Example of How to Order

TA 2 NC-B, 10-32F, *, B, *, *

* Spring – Std, 50%, HS (Heavy Spring)

*Port Position – Std, 12:00, 1:30, 3:00, 4:30, 7:30, 9:00, 10:30

Toggle Color – B – Black, G – Gray, LG – Light Gray, PT – Plated

*Output Port – specified only if output is different than input, 1/16 Barb, 1/8 Barb, 3/32 Barb

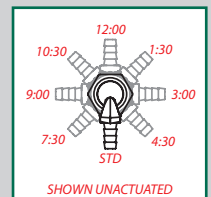
Input Port – 10-32F, 1/16 Barb, 1/8 Barb, 3/32 Barb

Seal Options – B – Buna, E – Ethylene Propylene (EPDM), F – Fluoroelastomer (Viton®)

Normally Closed

2-Way (Non-Exhausting) 3-Way (Exhausting)

TA – Toggle Activated (Detented), TM – Toggle Momentary (Spring Return)



*** Specify asterisk items only if other than standard