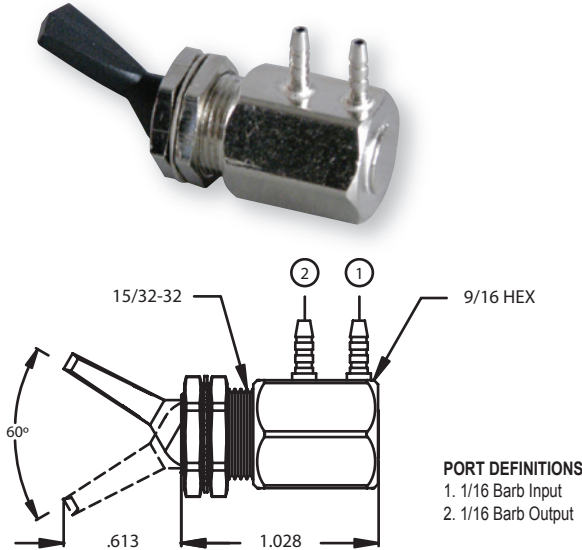


SOLDERED BARB - TOGGLE VALVE



Design Considerations

The Special Toggle Valve Series promotes a compact Normally Closed design with multiple configurations to fit the exact end use application. The Toggle Valves are available with Detented or Momentary Handles, and with 2-Way (Non-Exhausting) or 3-Way (Exhausting) 1/16 Barb porting. The 3-Way (Exhausting) Toggle Valves relieve air around the handle. The Panel Mount Toggle Valves require a .500 hole and are supplied with two Electroless Nickel Plated Panel Nuts and lock washer.

Specifications

Body & Panel Nuts: Electroless Nickel Plated Brass
 Stem: Brass
 Panel Mounting: 1/2" Panel Hole, 1/4" Max. Thickness
 Spring: 302 Stainless Steel

Maximum Operating Pressure – 0 - 125 psi
 Maximum Operating Temperature – -25°F to 180°F
 Flow Rate – 1.0 SCFM @ 50 PSI
 Toggle Actuation Force – Tested at 50 PSI
 Std Spring, 9 oz. Detented, 1 lb 3 oz. Momentary

Example of How to Order

STA 2 NC -B, 1/16B, B, *, *

* Spring – Std, 50%, HS (Heavy Spring)

* Port Position – Std, 12:00, 3:00, 9:00

Toggle Color – B - Black, G - Gray, LG - Light Gray, PT - Plated

Output Port – 1/16 Barb

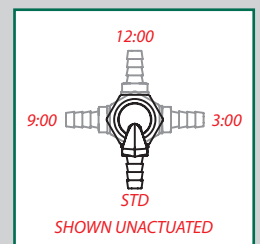
Input Port – 1/16 Barb

Seal Options – B - Buna, E - Ethylene Propylene (EPDM), F - Fluoroelastomer (Viton®)

Normally Closed

2 - Way (Non-Exhausting) 3 - Way (Exhausting)

STA – Toggle Activated (Detented), STM – Toggle Momentary (Spring Return)



*** Specify asterisk items only if other than standard