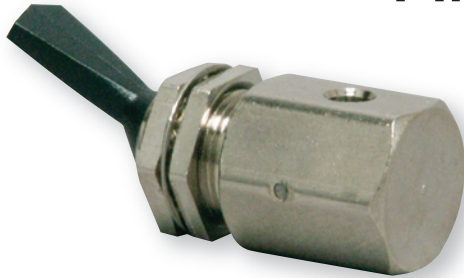


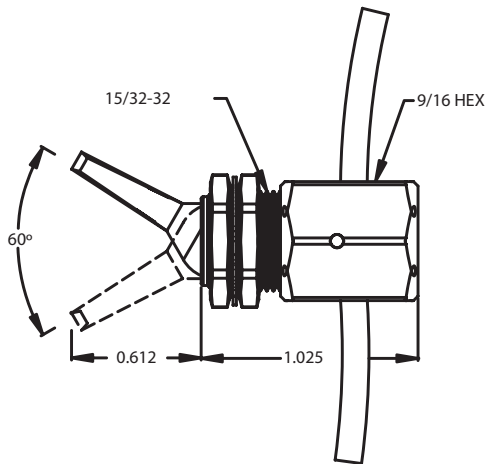
PINCH TOGGLE



Design Considerations

The Pinch Toggle design fits 1/8" OD applications. The Panel Mount Pinch Toggles are available with a Black, Gray or Plated Toggle. The Panel Mount Pinch Toggle require a .500 hole and are supplied with two Electroless Nickel Plated Panel Nuts.

- Part # 203190 Pinch Toggle, Black**
- Part # 203290 Pinch Toggle, Gray**
- Part # 203390 Pinch Toggle, Plated**



Specifications

Body & Panel Nuts: Electroless Nickel Plated Brass
 Stem: Brass

Maximum Operating Pressure – Refer to Tubing Specs
 Maximum Operating Temperature – Refer to Tubing Specs
 CV – Refer to Tubing Specs

Example of How to Order

Pinch Toggle, B

Toggle Color: B-Black, G-Gray, PT-Plated

Pinch Toggle