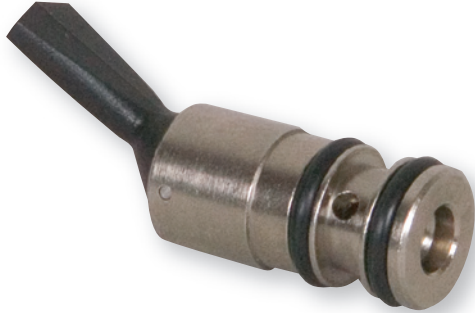
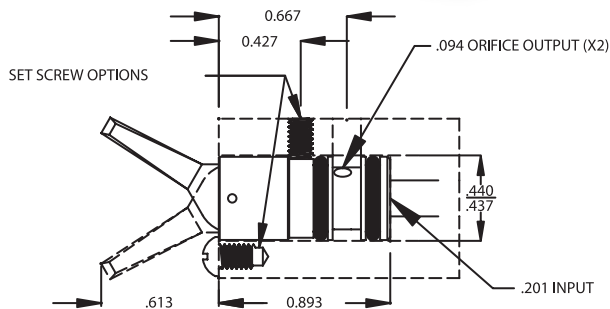


MANIFOLD CARTRIDGE - TOGGLE VALVE



Design Considerations

The Special Toggle Valve Series promotes a compact Normally Closed design with multiple configurations to fit the exact end use application. The Toggle Valves are available with Detented or Momentary Handles, and with 2-Way (Non-Exhausting) or 3-Way (Exhausting) 10-32 Female porting. The 3-Way (Exhausting) Toggle Valves relieve air around the handle.



Specifications

Body: Electroless Nickel Plated Brass
 Stem: Brass
 Spring: 302 Stainless Steel

Maximum Operating Pressure – 0 - 125 psi
 Maximum Operating Temperature – -25° F to 180° F
 Flow Rate – 2.5 SCFM @ 50 psi
 Toggle Actuation Force – Tested at 50 psi
 Std Spring, 9 oz Detented, 1 lb 3 oz Momentary

Example of How to Order

MTA 2 NC - B, B , *

*Spring – Std, 50%

Toggle Color – B–Black, G–Gray, LG–Light Gray, PT–Plated

Seal Options – B – Buna, E – Ethylene Propylene (EPDM), F – Fluroelastomer (Viton®)

Normally Closed

2-Way (Non-Exhausting) 3-Way (Exhausting)

MTA – Toggle Activated (Detented), MTM – Toggle Momentary (Spring Return)

*** Specify asterisk items only if other than standard