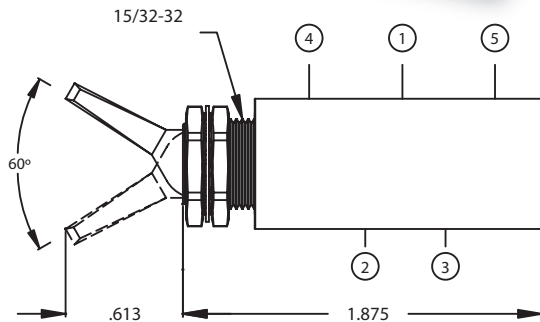


MULTI-FUNCTION ROUTING VALVE



PORT DEFINITIONS

- 1. Input (3 Way)
- 2. Output (2 Way)
- 3. Output (3 Way)
- 4. Exhaust (2 Way)
- 5. Exhaust (3 Way)

All ports are 10-32 Female

Design Considerations

The Multi-Function Routing Valves accommodate exhausting applications which cannot exhaust to atmosphere. Additionally, they may be used in place of two valves, providing simultaneous on/off function. The Multi-Function Routing Valves are available with Detented or Momentary Handles. The Panel Mount Routing Valves require a .500 hole and are supplied with two Electroless Nickel Plated Panel Nuts and Washer.

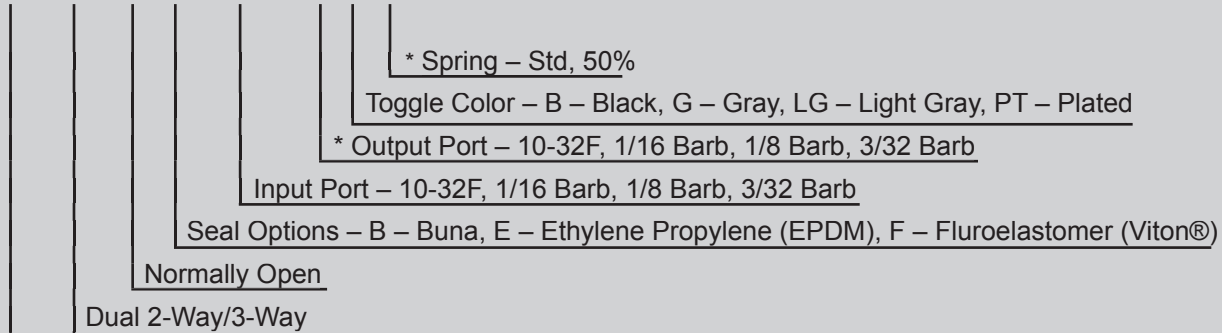
Specifications

Body & Panel Nuts: Electroless Nickel Plated Brass
 Stem: Brass
 Panel Mounting: 1/2" Panel Hole, 1/4" Max. Thickness
 Spring: 302 Stainless Steel

Maximum Operating Pressure – 0 - 125 psi
 Maximum Operating Temperature – -25°F to 180°F
 Flow Rate – 2.7 SCFM @ 50 psi
 Toggle Actuation Force – Tested at 50 psi
 Std Spring, 14 oz. Detented, 1 lb 6 oz. Momentary

Example of How to Order

MRV 2-3-NO-B,10-32F, *, B, *



MRV – Multi Function Routing Valve (Detented), MRVM – Multi Function Routing Valve Momentary (Spring Return)

*** Specify asterisk items only if other than standard