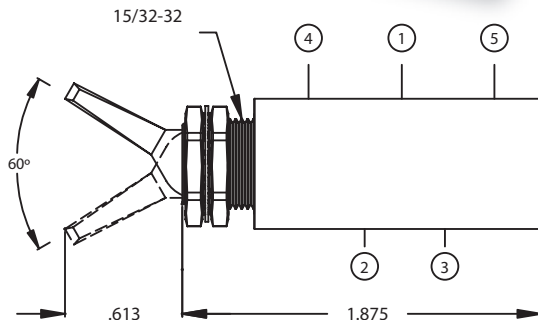


MULTI-FUNCTION ROUTING VALVE



PORT DEFINITIONS
 1. Input for 3
 2. Output for 4
 3. Output for 1
 4. Input for 2
 5. Plugged
 All ports are 10-32 Female

Design Considerations

The Multi-Function Routing Valves accommodate exhausting applications which cannot exhaust to atmosphere. Additionally, they may be used in place of two valves, providing simultaneous on/off function. The Multi-Function Routing Valves are available with Detented or Momentary Handles. The Panel Mount Routing Valves require a .500 hole and are supplied with two Electroless Nickel Plated Panel Nuts and Washer.

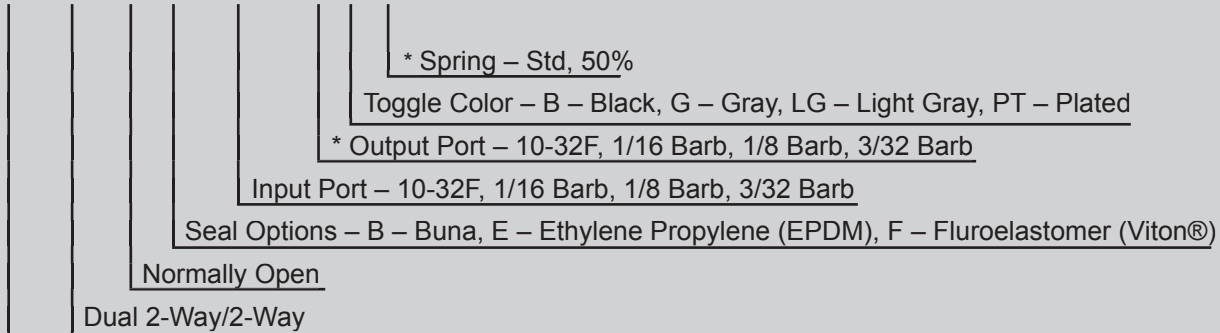
Specifications

Body & Panel Nuts: Electroless Nickel Plated Brass
Stem: Brass
Panel Mounting: 1/2" Panel Hole, 1/4" Max. Thickness
Spring: 302 Stainless Steel

Maximum Operating Pressure – 0 - 125 psi
Maximum Operating Temperature – -25°F to 180°F
Flow Rate – 2.7 SCFM @ 50 psi
Toggle Actuation Force – Tested at 50 psi
 Std Spring, 14 oz. Detented, 1 lb 6 oz. Momentary

Example of How to Order

MRV 2-2-NO-B,10-32F, *, B, *



MRV – Multi Function Routing Valve (Detented), MRVM – Multi Function Routing Valve Momentary (Spring Return)

*** Specify asterisk items only if other than standard