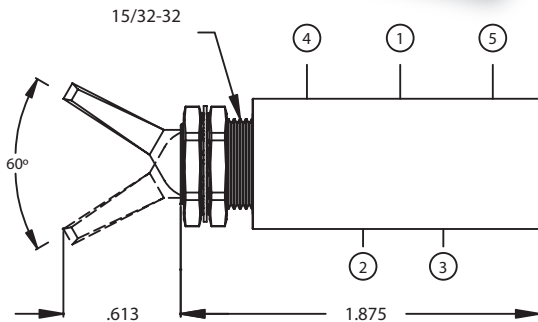


MULTI-FUNCTION ROUTING VALVE



- PORT DEFINITIONS**
1. Input
 2. Output On/Off (Normally Open)
 3. Output On/Off (Normally Closed)
 4. Exhaust for 2
 5. Exhaust for 3

All ports are 10-32 Female

Design Considerations

The Multi-Function Routing Valves accommodate exhausting applications which cannot exhaust to atmosphere. Additionally, they may be used in place of two valves, providing simultaneous on/off function. The Multi-Function Routing Valves are available with Detented or Momentary Handles. The Panel Mount Routing Valves require a .500 hole and are supplied with two Electroless Nickel Plated Panel Nuts and Washer.

Specifications

Body & Panel Nuts: Electroless Nickel Plated Brass
Stem: Electroless Nickel Plated Brass
Panel Mounting: 1/2" Panel Hole, 1/4" Max. Thickness
Spring: 302 Stainless Steel

Maximum Operating Pressure – 0 - 125 psi
Maximum Operating Temperature – -25°F to 180°F
Flow Rate – 2.7 SCFM @ 50 psi
Toggle Actuation Force – Tested at 50 psi
 14 oz. Detented, 1 lb 6 oz. Momentary

Example of How to Order

MRV 4 NO-B, 10/32F, *, B, *

* Spring – Std, 50%

Toggle Color – B – Black, G – Gray, LG – Light Gray, PT – Plated

* Output Port – 10-32F, 1/16 Barb, 1/8 Barb, 3/32 Barb

Input Port – 10-32F, 1/16 Barb, 1/8 Barb, 3/32 Barb

Seal Options – B – Buna, E – Ethylene Propylene (EPDM), F – Fluoroelastomer (Viton®)

Normally Open

4-Way

MRV – Multi Function Routing Valve (Detented), MRVM - Multi Function Routing Valve Momentary (Spring Return)

*** Specify asterisk items only if other than standard