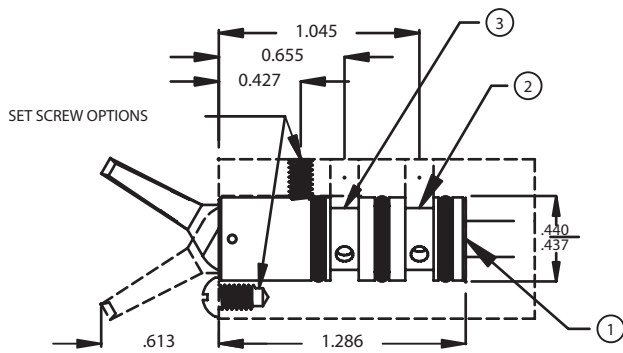


# MANIFOLD CARTRIDGE - ROUTING VALVE



## Design Considerations

The Manifold Cartridge Routing Valve promotes a compact Normally Open design. The Body is Electroless Nickel Plated.



### PORT DEFINITIONS

#### For Routing Two Outputs

1. Output On/Off (Normally Closed)
2. Input
3. Output On/Off (Normally Open)

### PORT DEFINITIONS

#### For Routing Two Inputs

1. Input On/Off (Normally Closed)
2. Output
3. Input On/Off (Normally Open)

### PORT DEFINITIONS

#### Ported Exhaust

1. Input
2. Output
3. Exhaust

## Specifications

**Body:** Electroless Nickel Plated Brass  
**Stem:** Electroless Nickel Plated Brass  
**Spring:** 302 Stainless Steel

**Maximum Operating Pressure** – 0 - 125 psi  
**Maximum Operating Temperature** – -25°F to 180°F  
**Flow Rate** – 2.5 SCFM @ 50 psi  
**Toggle Actuation Force** - Tested at 50 psi Std.  
 Spring, 11-oz. Detented, 1lb 4-oz. Momentary

## Example of How to Order

MCRV 2 NO -B, G

