

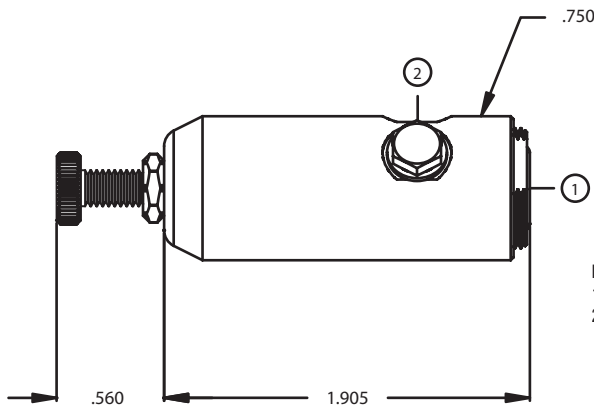
REGULATOR

Design Considerations

The RG Regulator Series promotes a compact design with Non-Exhausting 10-32 Female porting configurations to fit the exact end use application. The Non-Exhausting Regulator can be used with air or fluids.



- Part # 218890 RG2NO-B,1/4-20F, NPM
- Part # 245390 RG2NO-B,1/4-20F,NPM,4PORT
- Part # 201390 RG2NO-B,1/4-20F,NPM,4PORT,KS
- Part # 272690 RG2NO-B,1/4-20F,NPM,KS



PORT DEFINITIONS
 1. 1/4-20 Female Input
 2. 10-32 Female Output (3PL)

Specifications

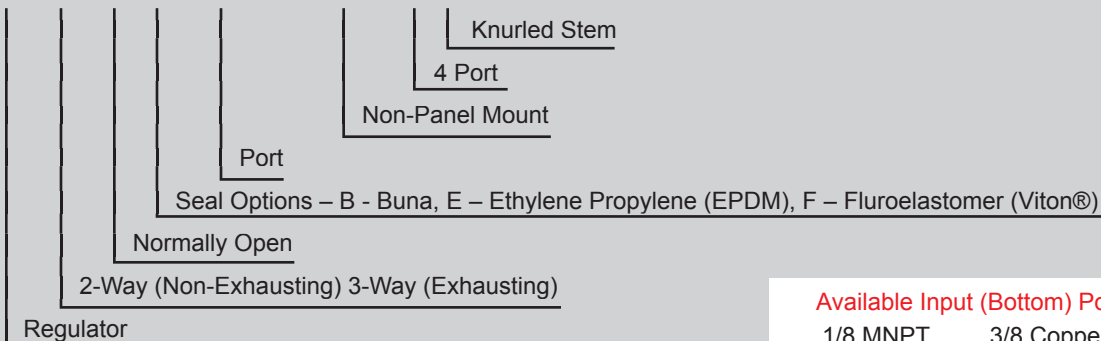
Body: Electroless Nickel Plated Brass

Maximum Operating Pressure – 5 - 80 psi
 Maximum Operating Temperature – -25°F to 180°F
 Flow Rate – 3 SCFM @ 50 psi

Example of How to Order

RG 2 NO-B, 1/4- 20, NPM , * , *

***Specify asterisk items only if other than standard B=Barb



Available Input (Bottom) Ports for 2-Way or 3-Way
 1/8 MNPT 3/8 Copper Comp 1/8 FNPT