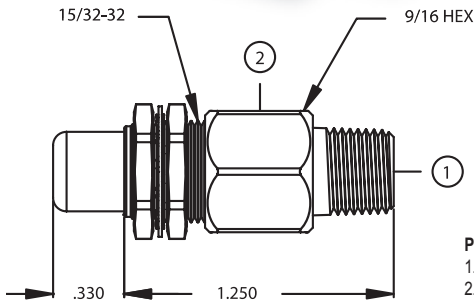


1/8 MNPT PUSH BUTTON VALVE



PORT DEFINITIONS
 1. 1/8 Male NPT Input
 2. 10-32 Female Output

Design Considerations

The Standard Push Button Valve Series promotes a compact Normally Closed (Momentary only) design with multiple configurations to fit the exact end use application. The Push Button Valves are available with 2-Way (Non-Exhausting) or 3-Way (Exhausting) 10-32 porting. The 3-Way (Exhausting) Push Button Valves relieve air around the button. The Panel Mount Push Button Valves require a .500 hole and are supplied with two Electroless Nickel Plated Panel Nuts and lock washer.

Specifications

Body & Panel Nuts: Electroless Nickel Plated Brass
Stem: Brass
Panel Mounting: 1/2" Panel Hole, 1/4" Max. Thickness
Spring: 302 Stainless Steel

Maximum Operating Pressure – 0 - 125 psi
Maximum Operating Temperature – -25°F to 180°F
Flow Rate – 2.5 SCFM @ 50 psi
Actuation Force – Tested at 50 psi
 Std. Spring, 4 lbs.

Example of How to Order

PB 2 NC-B, 1/8M, 10-32F, B, *

*Spring – STD, 50%

Push Button Color – B–Black, G–Gray, LG–Light Gray, PT–Plated,
 W–White, BL–Blue, R–Red, BB–Black Ball, WB–White Ball

*Output Port – 10-32F Standard, 1/16 Barb, 1/8 Barb, 3/32 Barb

Input Port – 1/8 MNPT

Seal Options – B – Buna, E – Ethylene Propylene (EPDM), F – Fluoroelastomer (Viton®)

Normally Closed

2-Way (Non-Exhausting) 3-Way (Exhausting)

PB – Push Button (Momentary Only)

*** Specify asterisk items only if other than standard