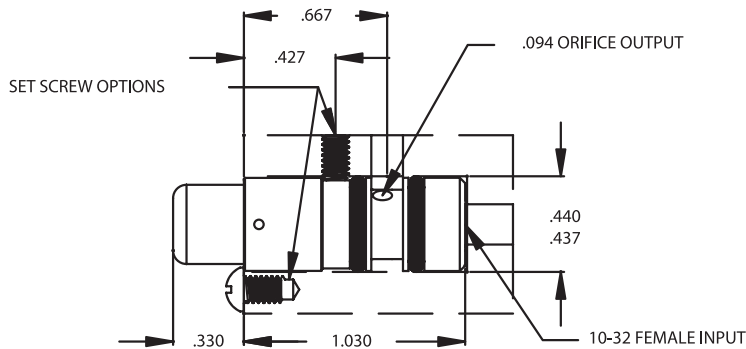
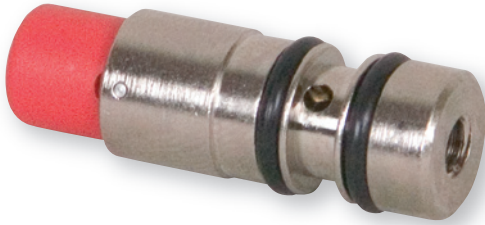


PUSH BUTTON - MANIFOLD CARTRIDGE VALVE



Design Considerations

The Special Toggle Valve Series promotes a compact Normally Closed design with multiple configurations to fit the exact end use application. Push Button Valves are available in 2-Way (Non-Exhausting) or 3-Way (Exhausting) 10-32 Female porting. The 3-Way (Exhausting) Push Button Valves relieve air around the button.

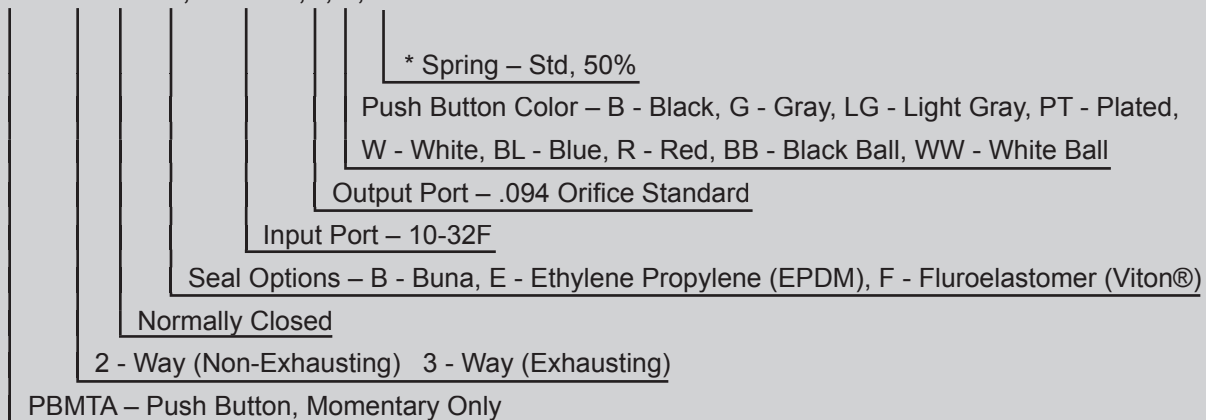
Specifications

Body: Electroless Nickel Plated Brass
 Stem: Brass
 Spring: 302 Stainless Steel

Maximum Operating Pressure – 0 - 125 psi
 Maximum Operating Temperature – -25°F to 180°F
 Flow Rate – 2.5 SCFM @ 50 PSI
 Actuation Force – Tested at 50 psi Std Spring, 4 lbs

Example of How to Order

PBMTA 2 NC -B, 10-32F, ,R, *



*** Specify asterisk items only if other than standard