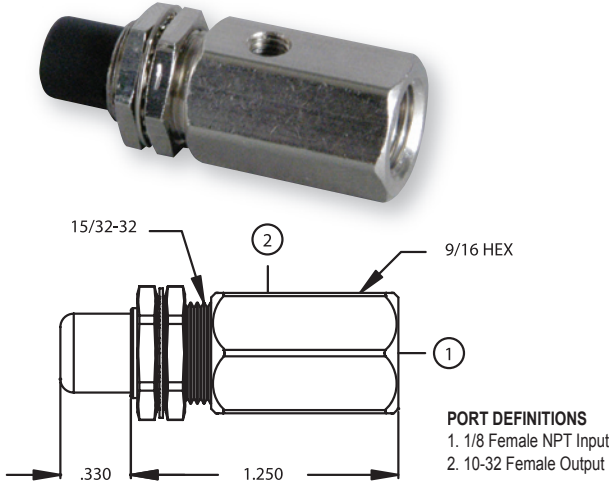


1/8 FNPT PUSH BUTTON VALVE



Design Considerations

The Standard Push Button Valve Series promotes a compact Normally Closed (Momentary only) design with multiple configurations to fit the exact end use application. The Push Button Valves are available with 2-Way (Non-Exhausting) or 3-Way (Exhausting) 10-32 porting. The 3-Way (Exhausting) Push Button Valves relieve air around the button. The Panel Mount Push Button Valves require a .500 hole and are supplied with two Electroless Nickel Plated Panel Nuts and lock washer.

Specifications

Body & Panel Nuts: Electroless Nickel Plated Brass
 Stem: Brass
 Panel Mounting: 1/2" Panel Hole, 1/4" Max. Thickness
 Spring: 302 Stainless Steel

Maximum Operating Pressure – 0 - 125 psi
 Maximum Operating Temperature – -25°F to 180°F
 Flow Rate – 2.5 SCFM @ 50 psi
 Actuation Force – Tested at 50 psi
 Std. Spring, 4 lbs.

Example of How to Order

PB 2 NC-B, 1/8F, 10-32F, B, *

*Spring – STD,50%

Push Button Color- B-Black, G-Gray, LG-Light Gray, PT-Plated,
 W-White, BL-Blue, R-Red, BB-Black Ball, WB-White Ball

*Output Port – 10-32F Standard, 1/16 Barb, 1/8 Barb, 3/32 Barb

Input Port - 1/8 FNPT

Seal Options – B – Buna, E – Ethylene Propylene (EPDM), F – Fluoroelastomer (Viton®)

Normally Closed

2-Way (Non-Exhausting) 3-Way (Exhausting)

PB – Push Button (Momentary Only)

*** Specify asterisk items only if other than standard