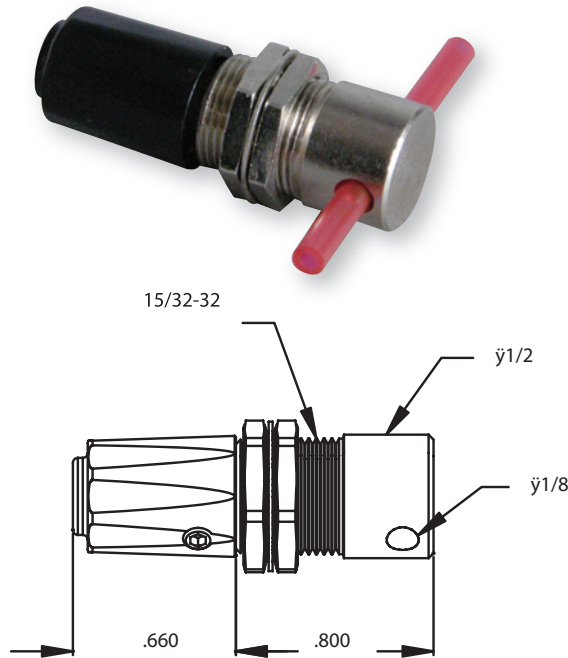


PINCH VALVE



Design Considerations

The Pinch Valves Series promotes a compact design with multiple configurations to fit 1/8 and 1/4 OD Tubing applications. The Panel Mount Pinch Valves are available with a Smooth or Ribbed ABS Knob in Black or Gray. The Mini Pinch Valve features a small Electroless Nickel Plated Knurled Knob. The Panel Mount Pinch Valves require a .500 hole and are supplied with two Electroless Nickel Plated Panel Nuts.

Specifications

Body & Panel Nuts: Electroless Nickel Plated Brass
 Pinch Needle: Brass
 Panel Mounting: 1/2" Panel Hole, 1/4" Max. Thickness
 Knob: ABS

Maximum Operating Pressure –
 Maximum Operating Temperature –
 CV: Refer to Tubing Specifications

Example of How to Order

Part # 266390	PV2T-Smooth Black Knob
Part # 248090	PV2T-Smooth Gray Knob
Part # 269390	PV2T-Ribbed Black Knob
Part # 269290	PV2T-Ribbed Gray Knob
Part # 246690	PV2T (Valve without Knob)

PV 2T -SB

Knob: SB – Smooth Black, SG – Smooth Gray, RB – Ribbed Black, RG – Ribbed Gray

1/2 OD Tube

Pinch Valve