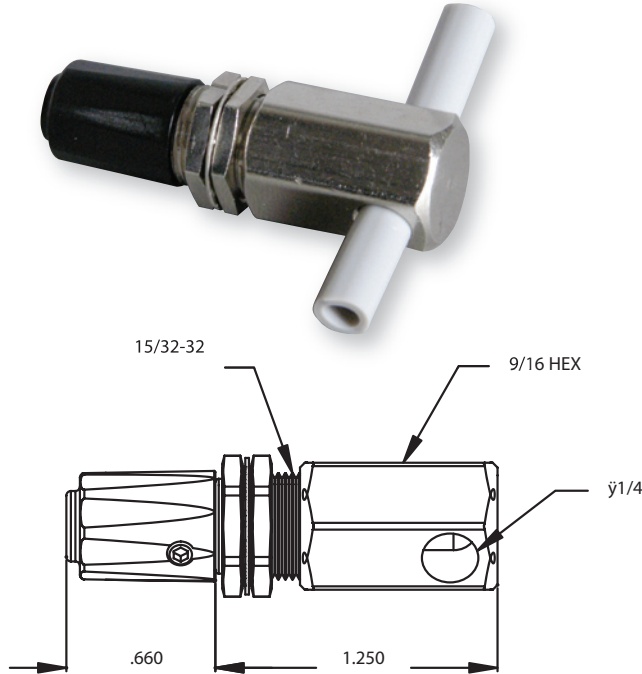


## PINCH VALVE



### Design Considerations

The Pinch Valves Series promotes a compact design with multiple configurations to fit 1/8 and 1/4 OD Tubing applications. The Panel Mount Pinch Valves are available with a Smooth or Ribbed ABS Knob in Black or Gray. The Mini Pinch Valve features a small Electroless Nickel Plated Knurled Knob. The Panel Mount Pinch Valves require a .500 hole and are supplied with two Electroless Nickel Plated Panel Nuts.

### Specifications

Body & Panel Nuts: Electroless Nickel Plated Brass  
 Pinch Needle: Brass  
 Panel Mounting: 1/2" Panel Hole, 1/4" Max. Thickness  
 Knob: ABS

Maximum Operating Pressure –  
 Maximum Operating Temperature –  
 CV: Refer to Tubing Specifications

### Example of How to Order

Part # 218290 PV4T-Smooth Black Knob  
 Part # 218590 PV4T-Smooth Gray Knob  
 Part # 269190 PV4T-Ribbed Black Knob  
 Part # 269090 PV4T-Ribbed Gray Knob

PV 4T -SB

Knob: SB – Smooth Black, SG – Smooth Gray, RB – Ribbed Black, RG – Ribbed Gray

1/4 OD Tube

Pinch Valve