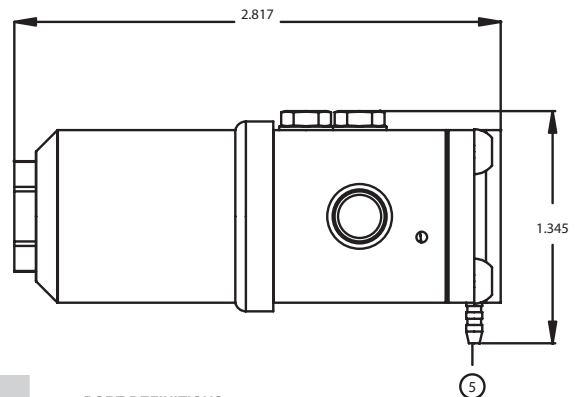
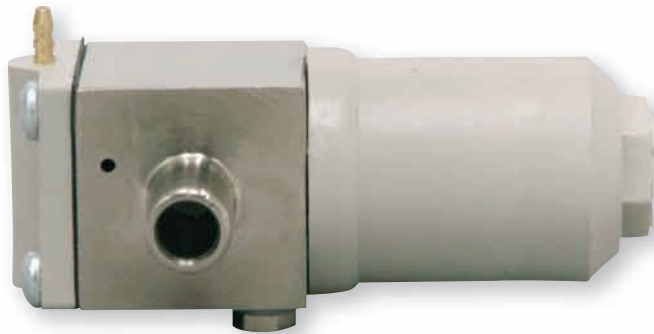
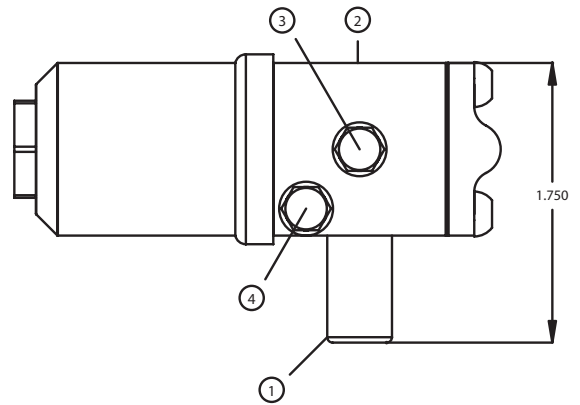
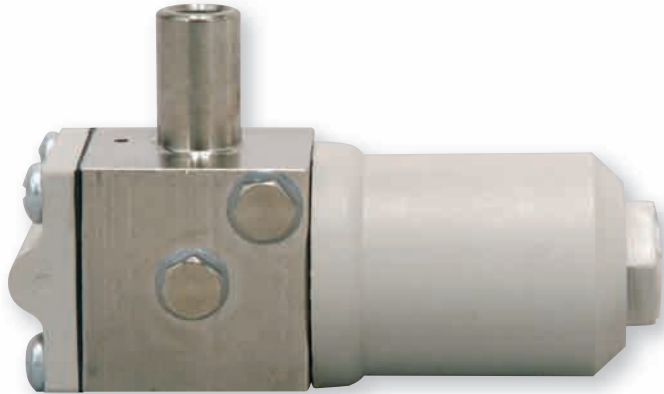


MODIFIED MASTER SHUT-OFF ASSEMBLY



Part # 218990 M-PAB2NC-B,3/8,1/8F

1/8 Female Output

Maximum Operating Pressure - 0 -125 psi

Maximum Operating Temperature - -25°F to 180°F

Flow Rate - 3.0 SCFM @ 50 psi

Actuation Pressure - 35 psi with 50 psi Inlet & 55 psi with 125 Inlet

PORT DEFINITIONS

1. 3/8 Copper Compression Input
2. 10-32 Female Auxiliary Output (Plugged)
3. 10-32 Female Auxiliary Output (Plugged, Pre-filtered Port)
4. 1/16 Barb Pilot
5. Actuation Relief Vent