

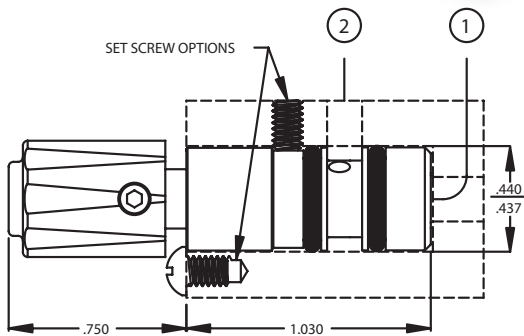
# MANIFOLD CARTRIDGE NEEDLE VALVE



## Design Considerations

The NV Series Needle Valve promotes a compact design with multiple configurations to fit the exact end use application. 6.5 Turn Adjustment. The NV Series Needle Valves are available with a Smooth or Ribbed ABS Knob in Black or Gray.

- Part # 299590 MCNV2SV-B,10-32F,6.5T (Needle Only)
- Part # 299690 MCNV2SV-B,10-32F,6.5T,SB (W/Smooth Black Knob)



**PORT DEFINITIONS**  
 1. 10-32 Female Input  
 2. .094 Orifice Output

## Specifications

Body: Electroless Nickel Plated Brass  
 Stem: Brass

Maximum Operating Pressure – 0 - 125 psi  
 Maximum Operating Temperature – -25° F to 180° F  
 Flow Rate – 2.5 SCFM @ 50 psi

## Example of How to Order

MCNV 2 SV -B, 10/32F,6.5T, SB

