

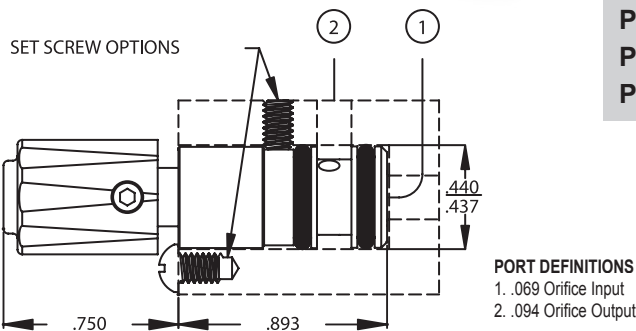
# MANIFOLD CARTRIDGE NEEDLE VALVE



## Design Considerations

The NV Series Needle Valve promotes a compact design with multiple configurations to fit the exact end use application. A 3-Turn Adjustment is Standard. The NV Series Needle Valves are available with a Smooth or Ribbed ABS Knob in Black or Gray.

- Part # 265690 MCNV2SV-B (Needle Valve Only)
- Part # 272490 MCNV2SV-B,RB (Includes Ridged Black Knob)
- Part # 268990 MCNV2SV-B,RG (Includes Ridged Gray Knob)
- Part # 265590 MCNV2SV-B,SB (Includes Smooth Black Knob)
- Part # 265490 MCNV2SV-B,SG (Includes Smooth Gray Knob)



## Specifications

Body: Electroless Nickel Plated Brass  
 Stem: Brass

Maximum Operating Pressure – 0 - 125 psi  
 Maximum Operating Temperature – -25°F to 180°F  
 Flow Rate – 2.5 SCFM @ 50 psi

## Example of How to Order

MCNV 2 SV -B, SB

