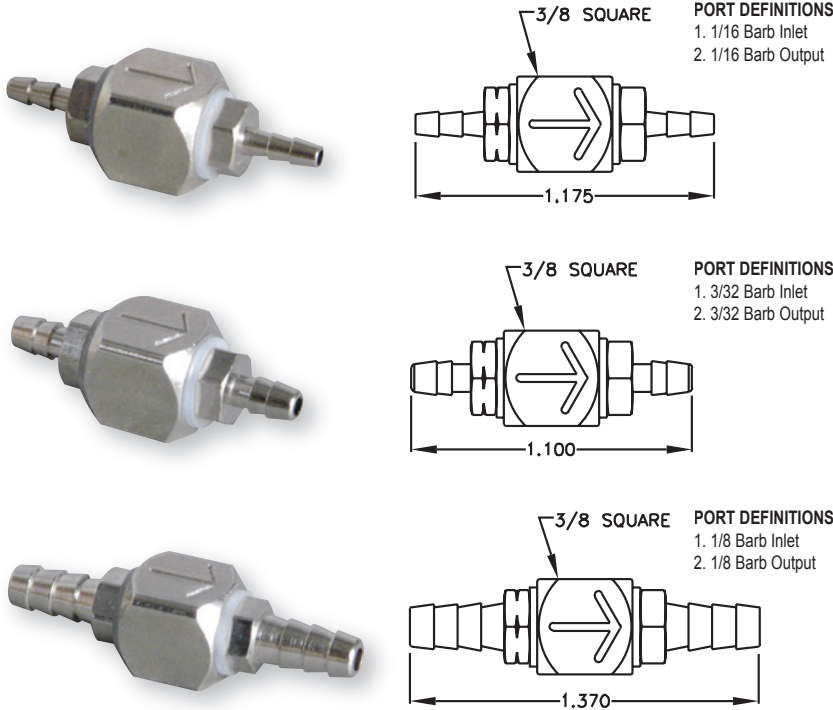


MINI CHECK VALVE SERIES

Design Considerations

The CV Check Valve Series promotes a compact design with multiple end configurations to fit the exact end use application. The CV Check Valves incorporate a guided piston with an embedded o-ring that seals on the seat at back pressure down to approximately 2 psi. The CV Check Valves have a 2 psi Cracking Pressure and are rated to 125 psi.



Specifications

Body: Electroless Nickel Plated Brass
 Spring: 302 Stainless Steel

Maximum Operating Pressure – 2 - 125 psi
 Maximum Operating Temperature – -25°F to 180°F
 CV – Approximately .05

Example of How to Order

CV 2 NC B 1/16B

